

base ten beach

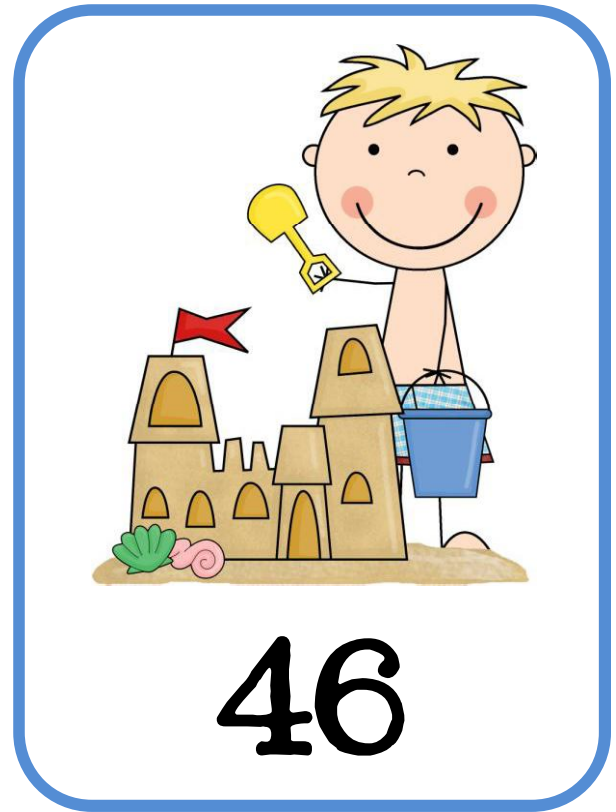
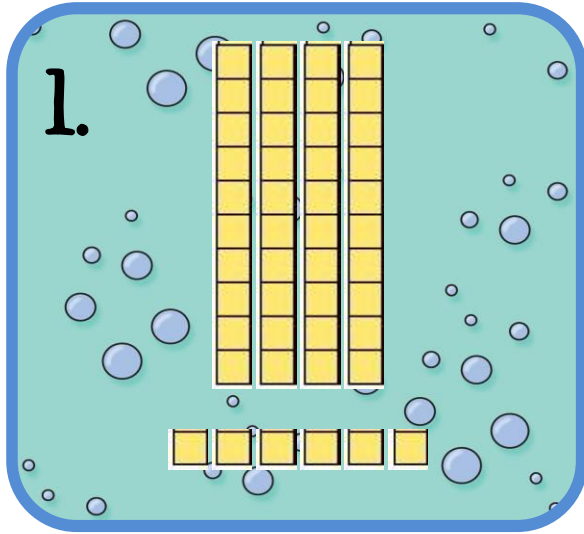


Directions- Students match each number card to the correct base ten card. They show the matches they made on their recording sheet.

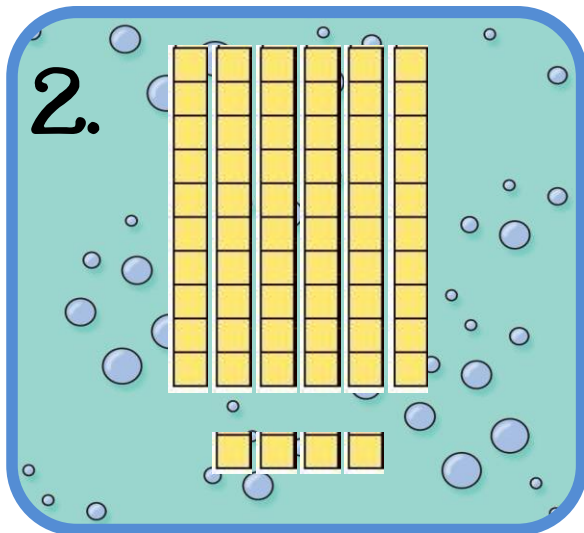
by Anna Brantley

www.fun-n-first.blogspot.com

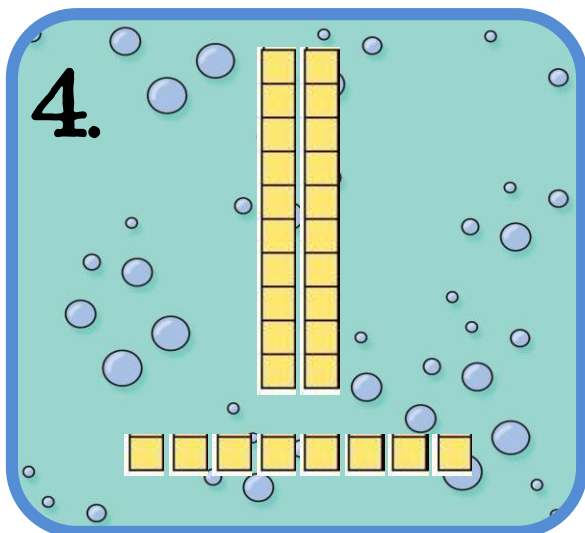
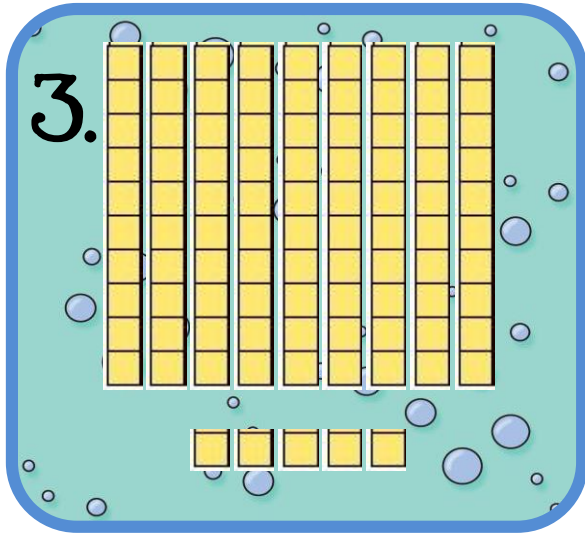
Graphics@Scrappin'Doodles

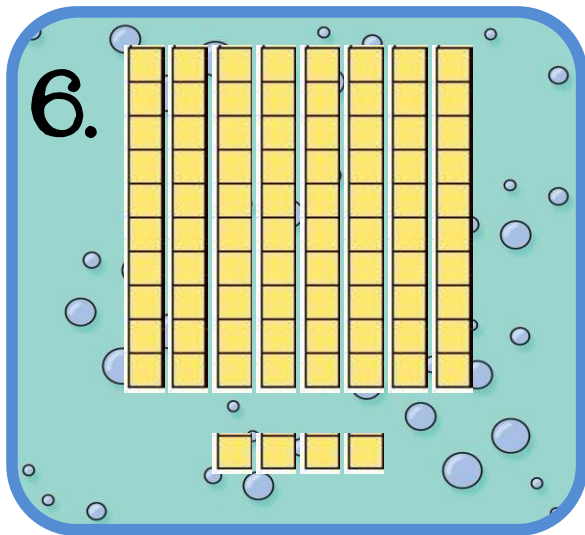
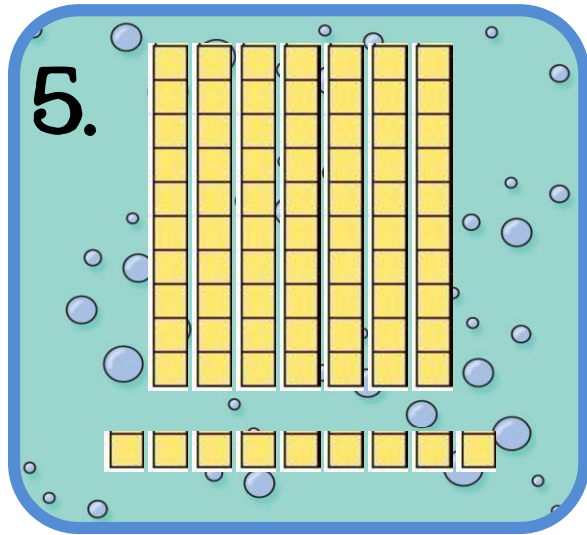


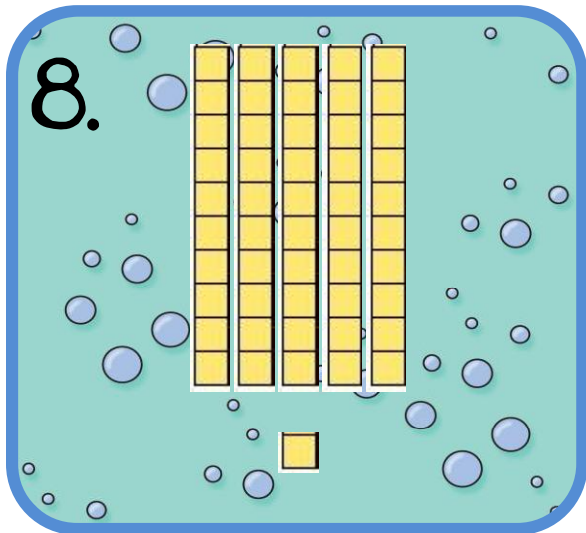
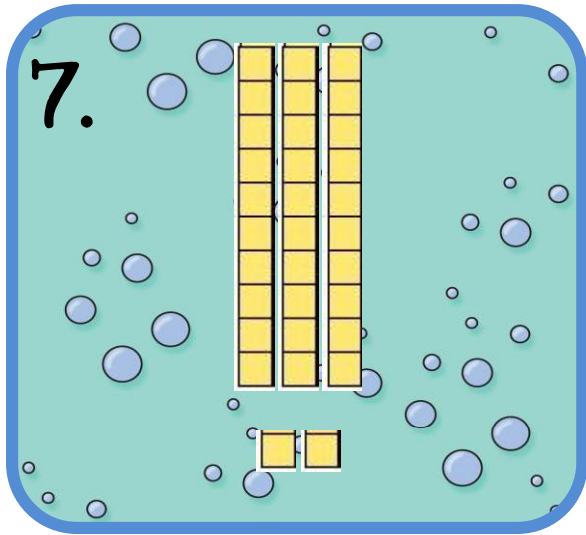
46

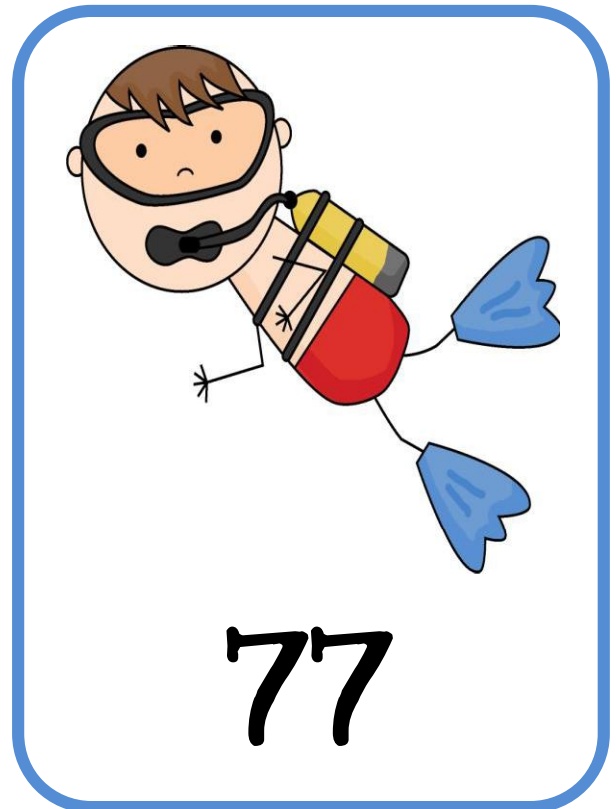
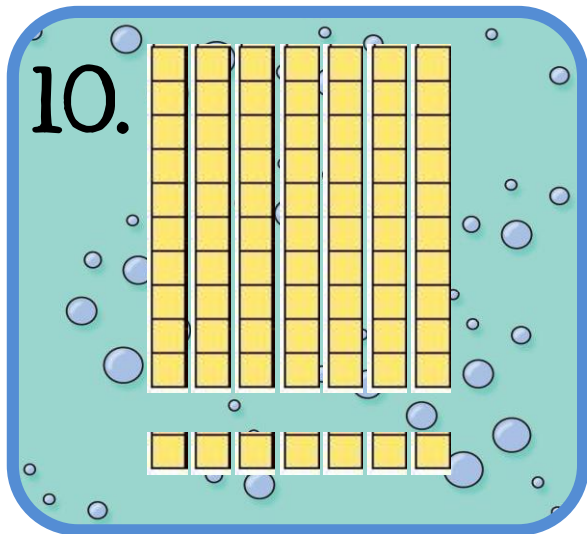
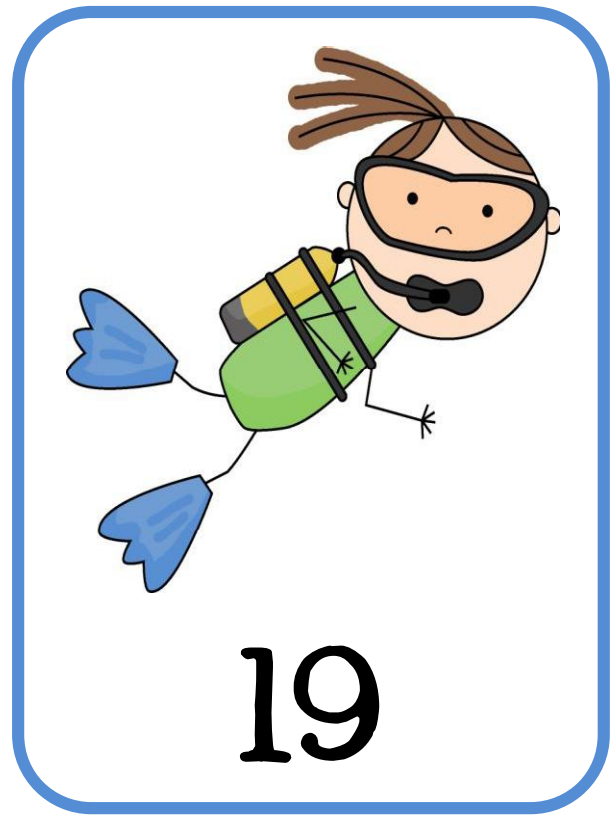
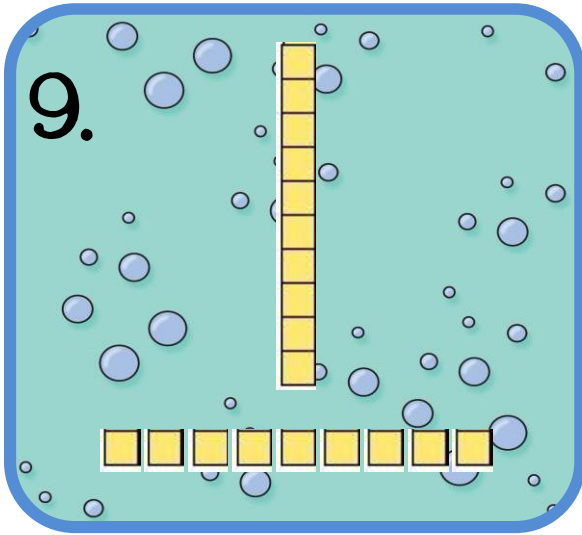


64

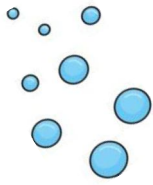






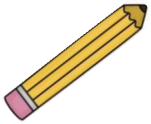


Name _____

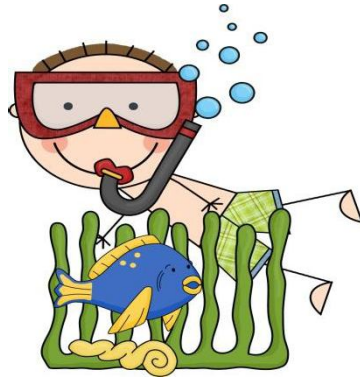


base ten beach

Directions- Match up the base ten cards with the number cards and record your answers below.



1.	2.
3.	4.
5.	6.
7.	8.
9.	10.



I hope you enjoy this free math center!
For teaching ideas and free materials, please
visit my blog at www.fun-n-first.blogspot.com.

Permission is granted to original
purchasers to reproduce material as
designated only for their own
classroom use. No other part of this
work may be reproduced in any form
or by any electronic or mechanical
means including information storage
and retrieval systems without
permission in writing from the
publisher, except by a reviewer, who
may quote brief passages in a review.

Anna Brantley©2011